

No.	Item	Symbol	Unit	Specification	No.	Item	Symbol	Unit	Specification
1	Drive	-	-	3 ϕ 220 VAC	13	Rotor Inertia	J-M	kg-cm ²	8.88 \pm 10%
2	Cooling Method	-	-	Totally Enclosed	14	Rated Power Rate	Q-R	Kw/s	57.7
3	Exciting Method	-	-	Permanent Magnet	15	Resistance	Ra	Ω	0.79 \pm 10%/2 ϕ
4	Resolution	-	-	23 bit IN/C	16	Inductance	L	mH	4.74 \pm 10%/2 ϕ
5	Rated Output	P-R	KW	1.5	17	Mech. Time Constant	Tm	ms	0.98 \pm 10%
6	Rated Torque	T-R	N-m	7.16	18	Elect. Time Constant	Te	ms	6 \pm 10%
7	Max. Torque	T-max	N-m	21.48	19	Insulation Class	-	-	Class B
8	Rated Speed	N-R	rpm	2000	20	Operation Temp.	T	$^{\circ}$ C	0~40
9	Rated Current	I-R	A	7.3	21	Operation Humid.	RH	%	<90
10	Max. Current	I-max	A	21.9	22	Storage Temp.	T	$^{\circ}$ C	-20~-60
11	Torque Constant	Kt	N-m/A	1.06 \pm 10%	23	Storage Humid.	RH	%	<90
12	Voltage constant	Ke	V/Krpm	62.78 \pm 10%/2 ϕ	24	Weight	W	kgw	8.08

NOTE:

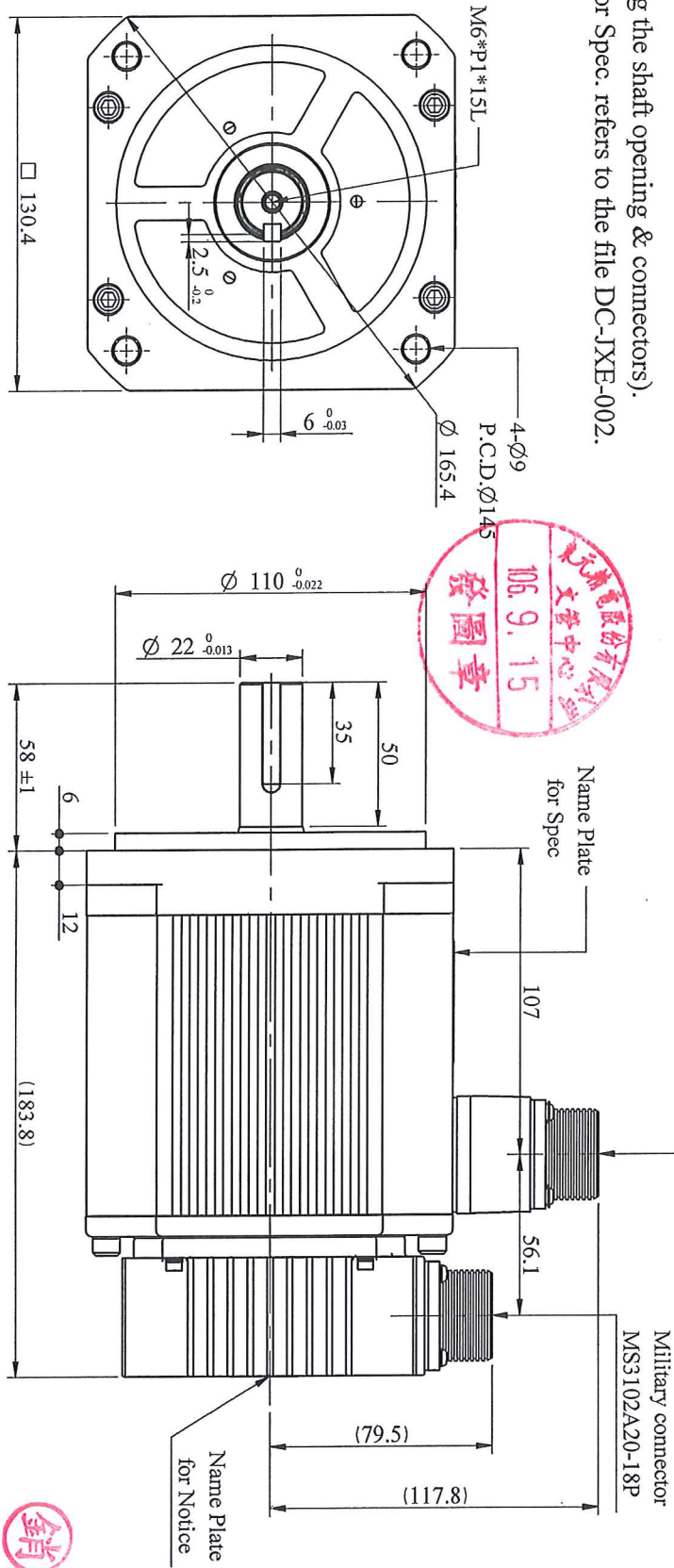
- Motor to be IP67(excluding the shaft opening & connectors).
- The detail of Name plate for Spec. refers to the file DC-JXE-002.

PIN	Signal	Color
B	+5V	White
I	0V	Black
A	/	/
C	/	/
H	SD	Blue
D	SD-	Purple
G	/	/
E	/	/
F	FG	Shield

encoder wiring

NO	Signal	Color
A	U	Red
B	V	White
C	W	Black
D	FG	Green

motor wiring



Name Plate for Notice

STANDARD TOLERANCE		APVD	CHKD	CHKD	CHKD	DWN	SCALE	UNIT	NAME	Servo Motor Outline Drawing	
X	\pm 0.5		Michelle	Michelle	Michelle	Michelle	2/5	mm	JSMA-PMB15A3K	Dept. Design	
X	\pm 0.2									DWG.NO.	D01B13152B3NZAD01
.XX	\pm 0.05										
ANGLE	\pm 30'										
MATERIAL											

Model: JSMA-PMB15A3K

REV DESCRIPTION SIGNATURE DATE

REV DESCRIPTION SIGNATURE DATE

REV DESCRIPTION SIGNATURE DATE

REV DESCRIPTION SIGNATURE DATE

REV DESCRIPTION SIGNATURE DATE

REV DESCRIPTION SIGNATURE DATE